



MINI ROCK GRAB

Mini Rock Grab is a versatile tool capable of lifting large rocks and positioning where desired.

Features:

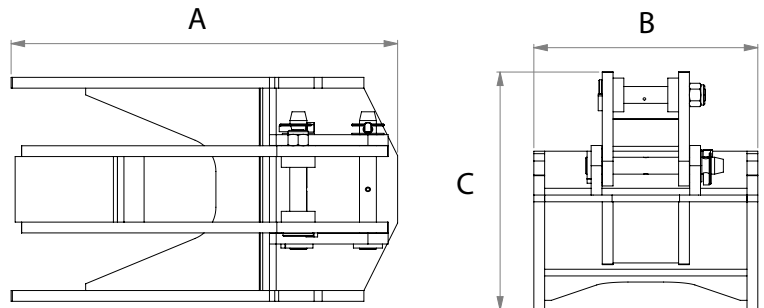
- Versatile tool capable of lifting heavy objects.
- 3 Tynes provide a stable grip on rounded objects.
- Ideal for landscapers building rock walls.
- Able to lift object from 160mm - 500mm in diameter.

Ideal Use:

Building Rock Walls, moving large items

Machine Suitability:

Mini Loaders and small skid steers



Rock Bucket and Rock Bucket with Grapple also available for Skid Steer Loaders and Tractors

| Specification: | Mini Rock Grab - OK55323 (jaws only) |
|------------------|--------------------------------------|
| Weight: | 85kgs |
| Length (Overall) | 575mm |
| Height (overall) | 332mm |
| Width (overall) | 352mm |
| Tyne Length | 400mm |
| Lifting Capacity | 180kgs |
| Rock Diameter | 160mm to 500mm |

Please note: Order Code refers only to jaws, complete assembly requires OK55500 and OK55323.